

HEP103 - ELECTRIC DRIVEN TWO STAGE COMPACT PUMPS



Working pressure 700 Bar

Choice of valve options

Compact, lightweight & powerful

C

The HEP103 range of two stage electric driven hydraulic pumps is suitable for a wide variety of applications and pumps are available in either 110 volt or 240 volt single phase electric motor options. Both voltage options also offer a choice of manual or electrically operated control valves, available as 2-way, 3-way or 4-way options with additional features like open centre, closed centre and locking valve designs available. Maximum working pressure is 700 Bar with automatic low to high pressure changeover fitted as standard. All models are supplied complete with a glycerine filled hydraulic pressure gauge, pre-filled 4 litre usable oil capacity reservoir with oil sight level gauge and an integral carrying handle for easy transportation of these lightweight, compact and versatile pumps to the job site.

Model number	Motor voltage	Maximum pressure Bar	Maximum flow rate l/min 1 st stage 2 nd stage	Changeover pressure Bar	Remote pendant functions	Usable oil capacity litres	Weight kg	
Models featuring 2-way solenoid valve, normally closed (hold function), suitable for use with single acting cylinders and tools, requiring hold.								
HEP103241LS	110 V - 1 Ph	700	2.50 0.35	150	advance/retract	4	19.2	
HEP103242LS	240 V - 1 Ph	700	2.50 0.35	150	advance/retract	4	19.2	
Models featuring 2-way solenoid valve, normally open (auto retract function), suitable for use with single acting cylinders and tools, requiring auto retract.								
HEP103241S	110 V - 1 Ph	700	2.50 0.35	150	advance/retract	4	20.5	
HEP103242S	240 V - 1 Ph	700	2.50 0.35	150	advance/retract	4	20.5	
Models featuring 3-way manually operated valve, suitable for use with single acting cylinders and tools.								
HEP103341	110 V - 1 Ph	700	2.50 0.35	150	motor on/off	4	18.1	
HEP103342	240 V - 1 Ph	700	2.50 0.35	150	motor on/off	4	18.1	
Models featuring 4-way manually operated valve, suitable for use with double acting cylinders and tools.								
HEP103441	110 V - 1 Ph	700	2.50 0.35	150	motor on/off	4	18.1	
HEP103442	240 V - 1 Ph	700	2.50 0.35	150	motor on/off	4	18.1	
Models featuring 4-way solenoid valve, locking feature on A and B port, suitable for use with double acting cylinders and tools, requiring hold.								
HEP103441LS	110 V - 1 Ph	700	2.50 0.35	150	advance/retract	4	20.5	
HEP103442LS	240 V - 1 Ph	700	2.50 0.35	150	advance/retract	4	20.5	

Note: All motors are dual frequency (50/60 Hz)

HEP103 - ELECTRIC DRIVEN TWO STAGE COMPACT PUMPS

C



Working pressure 700 Bar

Choice of valve options

Compact, lightweight & powerful

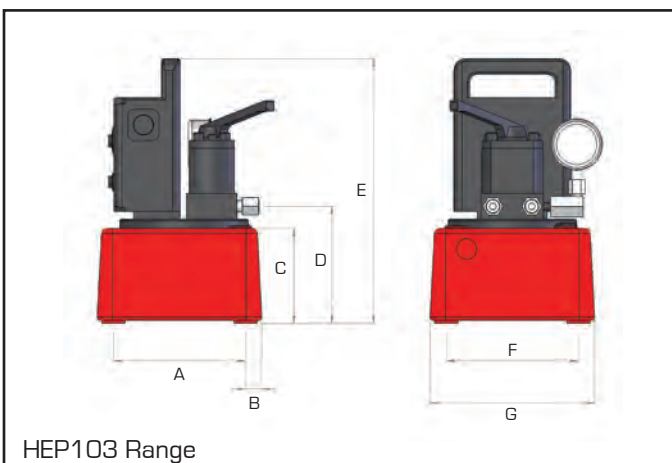
- >> Integral carrying handle
- >> Pressure gauge and remote control fitted as standard
- >> Suitable for single and double acting cylinders and hydraulic tools
- >> All models are fitted with dual frequency (50/60 Hz) motor



Did you know

Hi-Force manufactures powered pumps with flow rates up to 17 litres per minute in low pressure and 2 litres per minute up to 700 Bar.

See pages 41 to 43 for more details



All models	Dimensions in mm
A	195.0
B	25.0
C	117.5
D	141.5
E	342.0
F	210.0
G	260.0