

# ATEX/IECEX LED MINI WORKLITE™ WL-50



WITHOUT COMPROMISE

TECHNISCH BUREAU

DUSPRA

WL-50 & WL-50HT ZONES **1** **2** **21** **22**

## PRODUCT INFORMATION

The ATEX & IECEx certified WL-50 & WL-50HT light weight mini Worklite™ is an easily carried, rechargeable, high output LED floodlight for use in harsh, remote, hazardous area applications. At just over 9kgs, it weighs around half the weight of the WL-80 and WL-85 worklites, and provides the same outstanding level of light.

**Toughened glass lens with optional disposable lens guard**

**Durable 316L stainless steel outer skid to protect Worklite**

**Fixings for Anti-Static Lens Guard (W-3130) to protect lens & extend product lifespan**

**LED light source 'fitted for life' with 100,000+ hours life**

**Adjustable angle in frame**

**Cable free for easy use and reduced risk of trips**



## KEY INFORMATION

### CERTIFICATION

- ATEX and IECEx Approved for Zone 1/21 explosive gas and dust atmospheres, and OP IS compliant
- IP Rating: certified to both IP66 and 67, the Worklite™ is dust tight and protected against powerful water jets and immersion up to 1 metre (up to 30 minutes)

### AMBIENT APPROVED

- -20°C to +45°C - WL-50
- -20°C to +50°C - WL-50HT

### LIGHT OUTPUT

- 3,100 lumens at source
- High power white LED piercing spot beam with flood of lower level fringe light
- LED light source 'fitted for life' with 100,000+ hours life.

### LIGHT DURATION

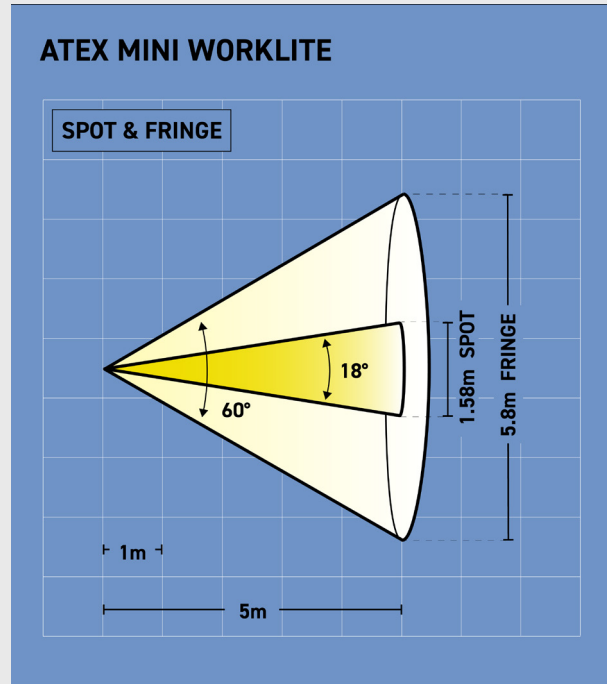
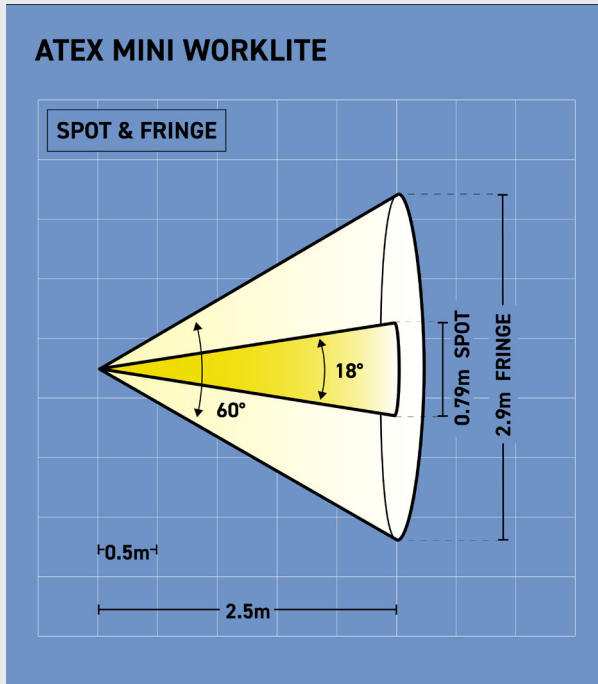
- Up to 5 hours full power
- Up to 10 hours half power

### FEATURES

- Toughened glass lens with optional disposable lens guard, robust and durable aluminium construction
- Rechargeable high capacity battery, fully managed & supplied with a mains charger with state of charge indication, powered from 100 to 254Vac
- Compatible with Wolf tripods and magnetic bracket kits, certified anti-static protection kits available
- 2 power levels (high/low) allowing user to accommodate appropriate light based on the work task at hand
- Tilt adjustment within frame to direct light accordingly

# TECHNICAL INFORMATION

## LIGHT OUTPUT DIAGRAM



Spot Beam, approximately 18°, with a flood, approximately 60°, of lower level fringe light.

**Full Power:**

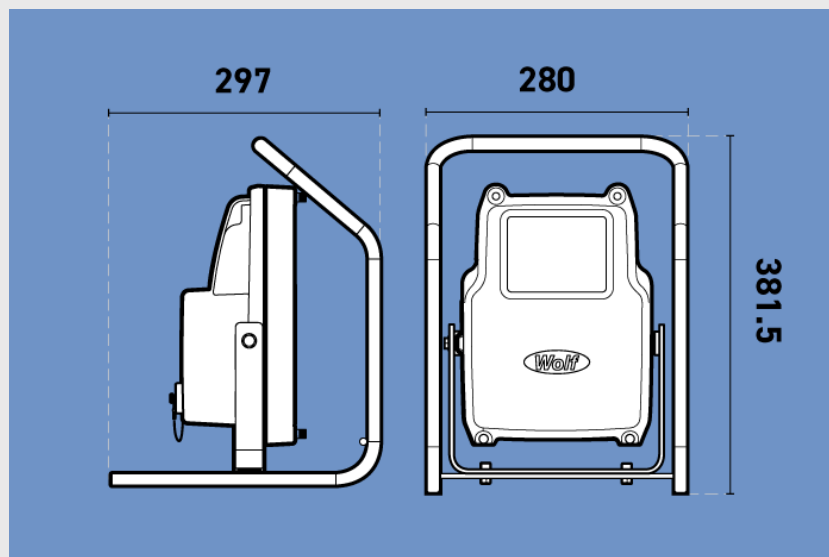
14,146 Lux at 1m  
566 Lux at 5m

**Half Power:**

7,455 Lux at 1m  
298 Lux at 5m

## PRODUCT DIMENSIONS

WL-50, WL-50HT



MEASUREMENT MM



## ATEX/IECEX LED MINI WORKLITE™ WL-50

PRODUCT REFERENCE		WL-50	WL-50HT
PRODUCT DESCRIPTION		High Power Rechargeable Battery Worklite™	
CODE		II 2 GD Ex eb ib mb op is IIC T4 Gb Ex tb op is IIIC T135°C Db	
TYPE OF PROTECTION		'eb' Increased Safety, 'ib' Intrinsic Safety, 'op is' optical intrinsic safety, 'mb' Encapsulation, tb Enclosure Protection	
AREA OF CLASSIFICATION (GAS)		Zones 1 and 2, Gas Groups IIA, IIB, IIC	
TEMPERATURE CLASSIFICATION		T4	
AREA OF CLASSIFICATION (DUST)		Zones 21 and 22, Dust Groups IIIA, IIIB, IIIC	
MAX. SURFACE TEMPERATURE (DUST)		T135°C	
AMBIENT TEMPERATURE		-20°C to +45°C	-20°C to +50°C
CERTIFICATE		CML 18ATEX3373X IECEX CML 18.0199X	
ENCLOSURE		Die Cast Aluminium	
LENS		Toughened Glass Lens	
BEAM TYPE		Spot Beam with a Flood of Low Level Fringe Light	
LIGHT SOURCE:	TYPE	High Power LED	
	POWER/OUTPUT	18 x High Power LEDs / Up to 3100 lm at source	
	LIFE	100,000hrs+ (Fitted for Life)	
POWER SOURCE:	PART NO.	W-3200	W-3300
	BATTERY TYPE	Rechargeable Battery, Sealed Gel Lead Acid	
	VOLTS	12V	
	CAPACITY	10Ah	9Ah
	LIFE	UP TO 200 RECHARGE CYCLES	
LOW BATTERY INDICATOR		Yes	
LIGHT DURATION - HIGH / LOW		Up to 10 hrs / 5 hrs	Up to 9hrs / 4.5hrs
INGRESS PROTECTION		IP66 and IP67* to IEC60529	
WEIGHT (INC. BATTERY)		9.3kg	
CHARGER INPUT		100 - 254 Vac	
RECHARGE TIME		8 hrs	

All information has been gathered under laboratory conditions, the user must regard the values given as approximate. Changes may be made to the above specification without notification, details are available on request.



wolfsafety.com

