

HPS | SINGLE ACTING LOW HEIGHT PAD CYLINDERS

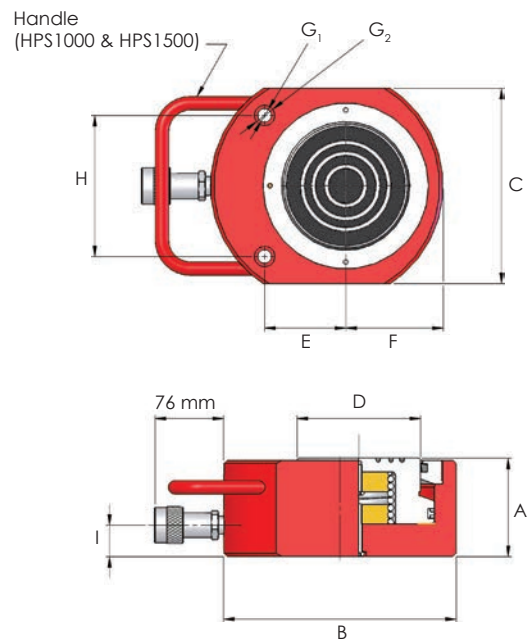


Capacities from 4.5 to 147 tonnes

Stroke lengths from 6 to 16 mm

Working pressure 700 bar

- ▶ Single acting, spring assisted return
- ▶ Low closed height design for use in confined work areas
- ▶ Nitrocarburised piston rod for corrosion resistance
- ▶ Low friction bearing surfaces
- ▶ Anti-extrusion seals for improved performance at high pressures
- ▶ Customised and special design cylinders are available on request



| Model number | Capacity (tonnes) | Stroke (mm) | Oil capacity (cm ³) | Cylinder eff. area (cm ²) | Weight (kg) | Dimensions (mm) | | | | | | | | | |
|--------------|-------------------|-------------|---------------------------------|---------------------------------------|-------------|-----------------|-----|-----|-----|----|----|----------------|----------------|-----|----|
| | | | | | | A | B | C | D | E | F | G ₁ | G ₂ | H | I |
| HPS50 | 4.5 | 6 | 4 | 6.4 | 0.8 | 32 | 60 | 38 | 24 | 20 | 19 | 5.6 | 9.8 | 26 | 19 |
| HPS51 | 4.5 | 16 | 10 | 6.4 | 0.9 | 42 | 60 | 38 | 24 | 20 | 19 | 5.6 | 9.8 | 26 | 19 |
| HPS100 | 10 | 10 | 14 | 14.4 | 1.6 | 46 | 81 | 56 | 38 | 34 | 28 | 6.8 | 11.3 | 37 | 19 |
| HPS200 | 20 | 11 | 31 | 28.6 | 2.6 | 52 | 100 | 76 | 51 | 40 | 39 | 8.8 | 14.3 | 50 | 19 |
| HPS300 | 32 | 12 | 55 | 45.6 | 4.2 | 59 | 115 | 95 | 60 | 46 | 48 | 8.8 | 14.3 | 52 | 19 |
| HPS500 | 50 | 15 | 107 | 71.3 | 6.6 | 67 | 140 | 114 | 70 | 54 | 60 | 10.8 | 17.3 | 67 | 20 |
| HPS750 | 73 | 16 | 164 | 102.7 | 10.4 | 81 | 165 | 140 | 82 | 67 | 70 | 13 | 19 | 76 | 21 |
| HPS1000 | 109 | 16 | 245 | 153.4 | 23.2 | 91 | 215 | 180 | 114 | 75 | 90 | 12.8 | 19 | 130 | 29 |
| HPS1500 | 147 | 16 | 330 | 206.2 | 28.5 | 100 | 215 | 191 | 114 | 83 | 95 | 13 | 19 | 117 | 29 |