

DNS - DOUBLE ACTING NUT SPLITTERS

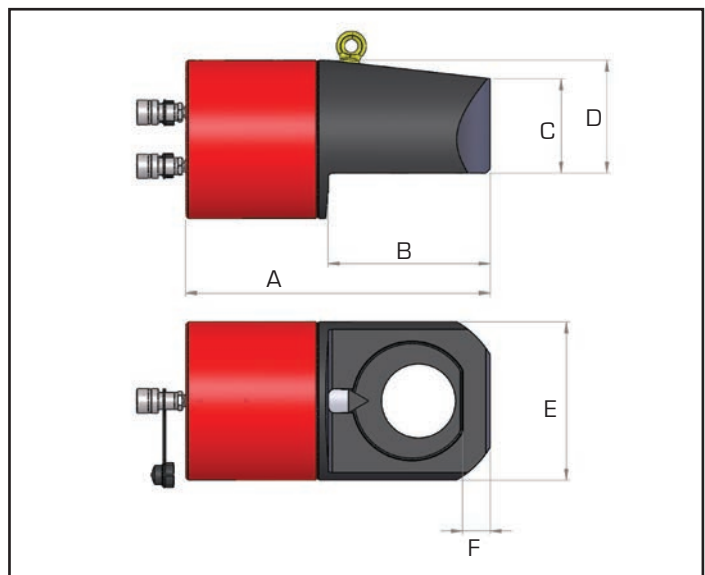


Choice of 2 models

Working pressure 700 Bar

Double acting design

The Hi-Force DNS range of double acting, hydraulic nut splitters offers a choice of 2 models suitable for splitting nuts of across flats (AF) sizes from 2.15/16" to 5.3/8" (74mm to 136mm). Both models are 700 Bar maximum working pressure and feature a double acting hydraulic piston for easy extension and retraction of the toughened steel splitting blade. Hi-Force DNS range hydraulic nut splitters are easy to set up and capable of safely splitting nuts quickly without any sparks, flames or flying debris usually associated with cutting torches. The DNS range nut splitter heads are designed to fit on all API and ANSI flanges and capable of splitting the hardest nuts with minimal damage to the stud bolt threads. Splitting blades are easy to remove and re-install after re-sharpening or when a replacement blade is required.



Model number	Hexagon AF sizes		Stud bolt thread sizes		Weight kg	Dimensions in mm					
	mm	inch	metric	imperial		A	B	C	D	E	F
DNS404	75 - 105	2 ¹⁵ / ₁₆ " - 4 ¹ / ₄ "	M48 - M72	1 ⁷ / ₈ " - 2 ³ / ₄ "	50	379.5	192	99.5	130.5	183	34
DNS506	105 - 136	4 ¹ / ₄ " - 5 ³ / ₈ "	M72 - M95	2 ³ / ₄ " - 3 ¹ / ₂ "	96	451.0	240	140.0	167.5	235	41

Note: The DNS nut splitters are for use on heavy duty nuts, where the nut height is equal to or greater than two-thirds of the blade length of the tool being used.

Replacement blades for DNS nut splitters :

Blade Part number	For Nut splitter
DNS404-B	DNS404
DNS506-B	DNS506



Hand and powered pumps suitable for use with DNS nut splitters are detailed on pages 29 to 50.