



**Chicago
Pneumatic**



**People.
Passion.
Performance.**

Handheld Pneumatic Hammers
A Full Range to Meet Your Exact Needs

A FULL RANGE FOR THE PERFECT MATCH

From brick walls to floor slabs to concrete bridge pilings, different renovation jobs require different tools. Chicago Pneumatic offers a full range of pneumatic hammers to match. There's no need to compromise on precision or accuracy — the CP line lets you choose the ideal tool for your specific application so you can be your most productive.

CP pneumatic hammers are based on decades of experience listening to construction customers and designing tools to meet their specific needs. That's why the CP line is so comprehensive. With CP, you get the variety to choose the right tool for the job and the performance to do that job well.





ENGINEERED FOR HIGH PERFORMANCE

No matter which model you choose, you'll get robust, reliable performance to help you get the job done easily, efficiently and in less time.

The Right Impact for the Application

Whether you need to chip the tiles from a wall, remove the surface of a brick or concrete wall, or even break harder material like reinforced concrete, the proper tool is critical to do each job precisely and accurately. However, to choose the right tool, you need to consider more than the weight — you also need to consider the blows per minute (bpm) of the tool for a true picture of its performance.

To help you compare tools accurately we recommend using a simple formula, dividing the bpm by the weight of the hammer to determine the “specific bpm.” The specific bpm helps determine which tool is most suitable for your site conditions. The hardness of the material is also an important consideration, especially because it can change over a structure’s life — so a softer material will require a higher specific bpm than a harder one. *See the chart on the opposite page for examples.*

CP offers one of the widest ranges of handheld pneumatic hammers available with different specific bpm numbers, so you can choose the best tool for the job. From the smallest chipping hammer to the largest rivet buster, CP covers the full range to fit most customer needs — and all models can be used to work vertically, horizontally and overhead.

MEDIUM HARD MATERIAL

SOFT MATERIAL



Light Renovation

Chipping hammers offer the highest specific bpm and are suitable for surface renovation on softer material. These lighter hammers are used to remove the first layer of material on a surface. Typical light renovation tasks include:

- Interior renovations to brick walls
- Tile removal
- Swimming pool renovations
- Alteration work
- Hole-making
- Chipping, cutting and trimming



Advanced Renovation

Pick hammers have a lower specific bpm, making them more universal for use with materials of medium hardness. Common applications include:

- Removing sections of brick walls
- Renovating concrete floors
- Heavier-duty chipping and cutting



Tunneling

In addition to advanced renovation tasks, CP clay diggers offer a lighter, more universal alternative hammer to a breaker and can work vertically, horizontally or overhead. CP clay digger applications include:

- Exterior brick wall renovations
- Breaking hard rock in tunnels or mines
- Digging soil and soft ground

HARD MATERIAL



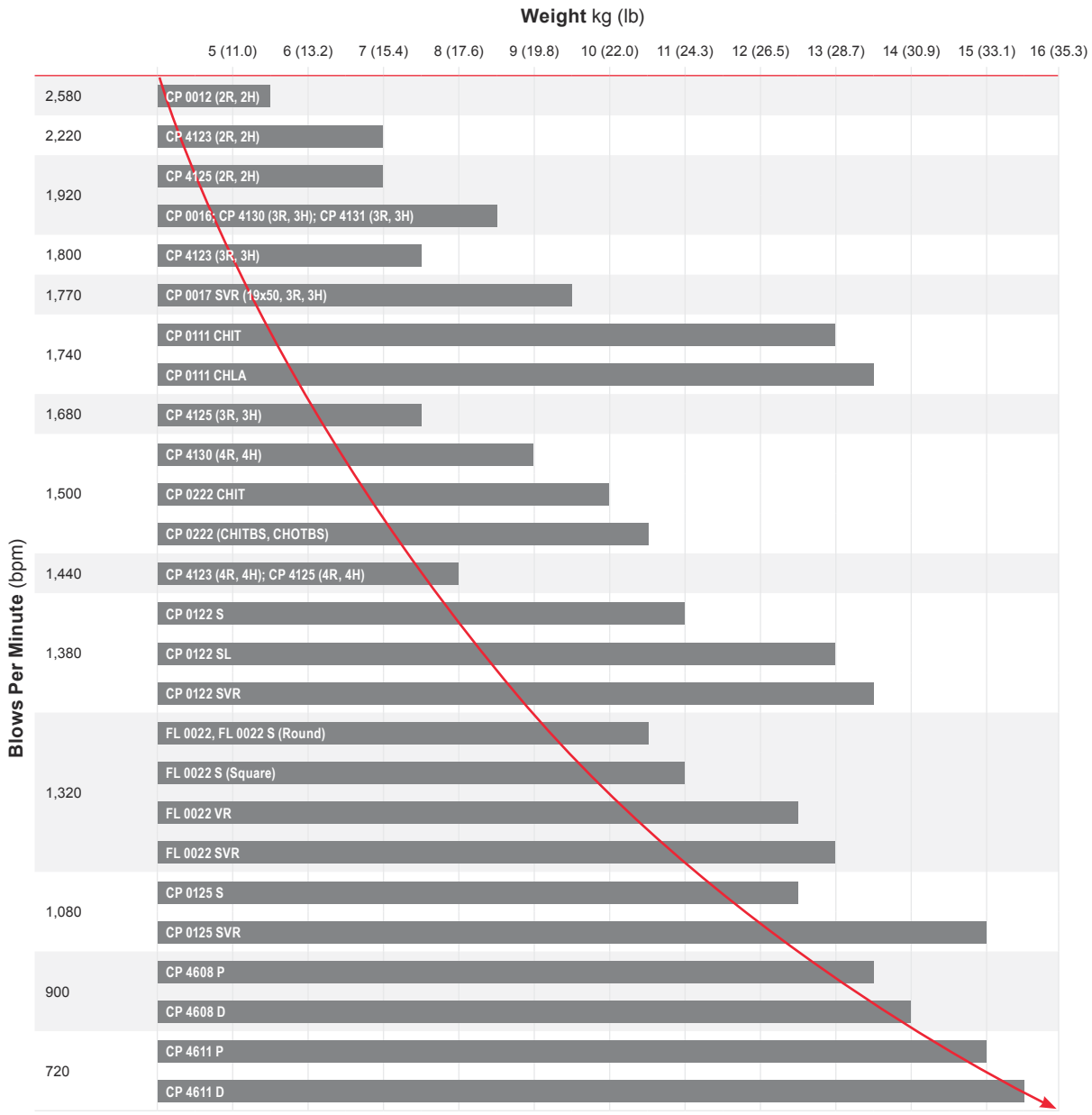
Industrial Renovation

Rivet busters have the lowest specific bpm, together with high power and lower weight. This makes them a good alternative to a T-handled breaker — especially when the weight is restricted by work specifications. They are best suited for working with harder materials such as reinforced concrete and greater depths beneath the surface. They are used in:

- Bridge deck and bridge pile renovation jobs
- De-capping foundation pillars
- As an alternative to paving breakers in tight spaces
- Cutting and removing large rivets and bolts
- Cutting metal tanks or plates

Specific BPM Reference

The following chart illustrates the specific bpm for the full line of CP pneumatic hammers. Each bar represents the CP model(s) with the corresponding combination of specifications. In general, models with a lower weight and higher bpm are best for softer materials, and models with a higher weight and lower bpm are best for harder materials. The curved red line highlights this trend.



Hardness of Material

Units with the same bpm are available in multiple weights to suit the hardness of the material.

█ = CP models with these specifications → = Trend (material hardness increases with higher weight and lower bpm)



Reliable Power With Easy Handling

From chipping to cutting, CP chipping hammers balance reliable hitting power with easy handling for dependable performance in a wide range of environmental conditions. They're designed to deliver the optimal specific bpm for light and medium-hard renovation and construction tasks.

LIGHT AND MEDIUM MODELS:

CP 0012, CP 4123, CP 4125

CP chippers have a straightforward design for easy maintenance, as well as a teasing throttle for precise control. Other features include a rugged hardened steel cylinder and handle, and a choice of bushings.

4-BOLT MODELS:

CP 0016, CP 4130, CP 4131

These models combine CP power with a four-bolt, high-strength back-head for heavy-duty chipping, cutting and trimming. The durable four-bolt handle is easy to disassemble for maintenance, and all models include a muffler as standard. A quick-change retainer is also available to easily swap out steels when time is limited.

VIBRATION REDUCED MODEL:

CP 0017 SVR

For productivity in challenging working conditions, CP offers a model that significantly reduces vibrations without sacrificing hitting power. It's ideal for repair and refurbishing work on concrete, stone and brickwork.



CP 4125

- Pistol-grip handle
- Available in 2", 3" and 4" cylinder stroke versions
- Unique ring valve and chrome-plated cylinder for extra durability



CP 4131

- Bushing: .680" Round; .580" Hex
- 3" cylinder stroke version
- Designed for round collar chisels only
- Quick Change retainer is standard
- Muffler is standard



4-bolt flange increases durability, strength and ease of service



Reduce vibration without sacrificing hitting power



CP 4131



CP 4125



CP 0016

CHIPPING HAMMERS	CP 0012	CP 0012 2R	CP 0012 2H	CP 0016	CP 0017 SVR 19x50	CP 0017 SVR 3R	CP 0017 SVR 3H
Weight kg (lb)	5.5 (12)	5.5 (12)	5.5 (12)	8.5 (19)	9.5 (21)	9.5 (21)	9.5 (21)
Length mm (in)	406 (15.9)	406 (15.9)	406 (15.9)	420 (16.5)	540 (21.3)	535 (21.1)	535 (21.1)
Air Consumption l/s (cfm)	9.5 (20)	9.5 (20)	9.5 (20)	12 (25)	17 (36)	17 (36)	17 (36)
Blows Per Minute bpm	2,580	2,580	2,580	1,920	1,770	1,770	1,770
Vibration Level 3 Axes** (ISO 28927-10) m/s ²	14.6	14.6	14.6	9.6	12.4	12.4	12.4
Sound Power Level Guaranteed** (2000/14/EC) dB(A)	104	104	104	104	104	104	104
Sound Pressure Level** (ISO 11203) dB(A)	89	89	89	91	90	90	90
Retainer Type	Screw Cap	Spring	Spring	Screw Cap	Screw Cap	Spring	Spring
Air Inlet	3/8" BSP	3/8" NPTF	3/8" NPTF	3/8" BSP	1/2" BSP	1/2" NPT	1/2" NPT
Handle Type	D-Handle, Inside Trigger	D-Handle, Inside Trigger	D-Handle, Inside Trigger	D-Handle, Outside Trigger	D-Handle, Inside Trigger	D-Handle, Inside Trigger	D-Handle, Inside Trigger
Chuck Size mm (in)	Hex 19 x 50 (3/4 x 2)	Rd 17.3 (0.680)	Hex 14.7 (0.580)	Hex 19 x 50 (3/4 x 2)	Hex 19 x 50 (3/4 x 2)	Rd 17.3 (0.680)	Hex 14.7 (0.580)
Part Number	8900 0001 01	8900 0001 02	8900 0001 03	8900 0001 32	8900 0001 35	8900 0001 36	8900 0001 37



- CP 0012**
- D-handle
 - Muffler is standard

CHIPPING HAMMERS	CP 4123 2R	CP 4123 2H	CP 4123 3R	CP 4123 3H	CP 4123 4R	CP 4123 4H	CP 4125 2R	CP 4125 2H	CP 4125 3R
Weight kg (lb)	7 (15)	7 (15)	7.5 (17)	7.5 (17)	8 (18)	8 (18)	7 (15)	7 (15)	7.5 (17)
Length mm (in)	375 (14.8)	375 (14.8)	425 (16.7)	425 (16.7)	460 (18.1)	460 (18.1)	380 (15)	380 (15)	415 (16.3)
Air Consumption l/s (cfm)	12 (25)	12 (25)	14 (30)	14 (30)	13 (28)	13 (28)	13 (28)	13 (28)	15 (32)
Blows Per Minute bpm	2,220	2,220	1,800	1,800	1,440	1,440	1,920	1,920	1,680
Vibration Level 3 Axes** (ISO 28927-10) m/s ²	13.2	13.2	11.4	11.4	13.9	13.9	13.8	13.8	15.3
Sound Power Level Guaranteed** (2000/14/EC) dB(A)	-	-	-	-	-	-	-	-	-
Sound Pressure Level (ISO 11203) dB(A)	-	-	-	-	-	-	-	-	-
Retainer Type	Spring	Spring	Spring	Spring	Spring	Spring	Spring	Spring	Spring
Air Inlet	3/8" NPTF	3/8" NPTF	3/8" NPTF	3/8" NPTF	3/8" NPTF	3/8" NPTF	3/8" NPTF	3/8" NPTF	3/8" NPTF
Handle Type	Pistol Grip	Pistol Grip	Pistol Grip	Pistol Grip	Pistol Grip	Pistol Grip	Pistol Grip	Pistol Grip	Pistol Grip
Chuck Size mm (in)	Rd 17.3 (0.680)	Hex 14.7 (0.580)	Rd 17.3 (0.680)	Hex 14.7 (0.580)	Rd 17.3 (0.680)	Hex 14.7 (0.580)	Rd 17.3 (0.680)	Hex 14.7 (0.580)	Rd 17.3 (0.680)
Part Number	8900 0001 04*	8900 0001 05*	8900 0001 06*	8900 0001 07*	8900 0001 08*	8900 0001 09*	8900 0001 10*	8900 0001 11*	8900 0001 12*



- CP 0016**
- Slim and light screw-on retainer formoil points and chisels
 - Muffler is standard

CHIPPING HAMMERS	CP 4125 3H	CP 4125 4R	CP 4125 4H	CP 4130 3R	CP 4130 3H	CP 4130 4R	CP 4130 4H	CP 4131 3R	CP 4131 3H
Weight kg (lb)	7.5 (17)	8 (18)	8 (18)	8.5 (19)	8.5 (19)	9 (20)	9 (20)	8.5 (19)	8.5 (19)
Length mm (in)	415 (16.3)	445 (17.5)	445 (17.5)	420 (16.5)	420 (16.5)	450 (17.7)	450 (17.7)	420 (16.5)	420 (16.5)
Air Consumption l/s (cfm)	15 (32)	13 (28)	13 (28)	12 (25)	12 (25)	12.5 (26)	12.5 (26)	12 (25)	12 (25)
Blows Per Minute bpm	1,680	1,440	1,440	1,920	1,920	1,500	1,500	1,920	1,920
Vibration Level 3 Axes** (ISO 28927-10) m/s ²	15.3	14.6	14.6	9.6	9.6	12.3	12.3	9.6	9.6
Sound Power Level Guaranteed** (2000/14/EC) dB(A)	-	-	-	104	104	104	104	104	104
Sound Pressure Level** (ISO 11203) dB(A)	-	-	-	90	90	90	90	91	91
Retainer Type	Spring	Spring	Spring	Spring	Spring	Spring	Spring	Quick Change	Quick Change
Air Inlet	3/8" NPTF	3/8" NPTF	3/8" NPTF	3/8" NPTF	3/8" NPTF	3/8" NPTF	3/8" NPTF	3/8" NPTF	3/8" NPTF
Handle Type	Pistol Grip	Pistol Grip	Pistol Grip	D-Handle, Outside Trigger	D-Handle, Outside Trigger	D-Handle, Outside Trigger	D-Handle, Outside Trigger	D-Handle, Outside Trigger	D-Handle, Outside Trigger
Chuck Size mm (in)	Hex 14.7 (0.580)	Rd 17.3 (0.680)	Hex 14.7 (0.580)	Rd 17.3 (0.680)	Hex 14.7 (0.580)	Rd 17.3 (0.680)	Hex 14.7 (0.580)	Rd 17.3 (0.680)	Hex 14.7 (0.580)
Part Number	8900 0001 13*	8900 0001 14*	8900 0001 15*	8900 0001 16	8900 0001 17	8900 0001 18	8900 0001 19	8900 0001 33	8900 0001 34



- CP 4130**
- Bushing: .680" Round; .580" Hex
 - 3" or 4" cylinder stroke version
 - Muffler is standard



- CP 0017 SVR**
- Reliable, easy-to-maintain isolator assembly unit
 - Closed-grip D-handle for operator comfort

* Not for sale within EU/EEA.

**Full details of measurement are available in the Safety and Operating Instruction of the product. It can be found on www.cpprintshop.com.

Maximum Versatility for Advanced Jobs

Designed for challenging applications in advanced renovation, construction or rock breaking, CP pick hammers offer the right combination of power and easy handling to do the job right. Rugged, straightforward construction and versatility make them a popular choice for tough job sites.

MULTIPURPOSE MODELS:

CP 0111 CHLA or CHIT & CP 0222 CHIT, CHIT BS or CHOT BS
These popular multipurpose pick hammers offer good power-to-weight ratios and latch retainers for quick, easy change of steels. Heat-treated alloy steel components also offer extra durability. Light and slim, the CP 0222 is an excellent choice for heavy-duty chipping and breaking operations, and the compact design is easy to handle.

HARD CONCRETE MODELS:

CP 0122 S or SL & CP 0125 S
These are the most powerful pick hammers in the CP range, particularly suitable for working with relatively hard concrete in renovation, pile-capping or bridge deck applications. Both are available with a cap retainer (S model), and CP 0122 is available with a latch retainer (SL model). S versions are equipped with mufflers.

MINING AND SOFT TUNNELING MODEL:

FL 0022 S
The FL 0022 is a very slim, easy-to-handle tool that's suitable for mining and soft tunneling applications. It's built to last with high-quality components, a machined barrel and hardened steel construction. This model is also equipped with a muffler.

See page 11 for clay digger versions with square chucks and vibration reduced options.



- CP 0111***
- Precise throttle action
 - Ring valve design
 - Latch retainer



- CP 0122**
- Screw cap retainer (S model)
 - Latch retainer (SL model)
 - S models have muffler



PICK HAMMERS	CP 0111 CHLA	CP 0111 CHIT	CP 0122 S	CP 0122 SL	CP 0122 SVR	FL 0022 S
Weight kg (lb)	13.5 (30)	13 (29)	11 (24)	13 (29)	13.5 (30)	10.5 (23)
Length mm (in)	597 (23.5)	572 (22.5)	565 (22.2)	560 (22.0)	665 (26.2)	515 (20.3)
Air Consumption l/s (cfm)	21 (45)	21 (45)	21 (45)	21 (45)	21 (45)	21 (45)
Blows Per Minute bpm	1,740–1,920	1,740–1,920	1,380	1,380	1,380	1,320
Vibration Level 3 Axes** (ISO 28927-10) m/s ²	–	–	16.3	16.3	21.9	16.3
Sound Power Level Guaranteed** (2000/14/EC) dB(A)	–	–	105	105	105	105
Sound Pressure Level** (ISO 11203) dB(A)	–	–	89	93	89	89
Retainer Type	Latch	Latch	Screw Cap	Latch	Screw Cap	Screw Cap
Air Inlet	3/8" NPTF	3/8" NPTF	3/4" BSP	3/4" BSP	3/4" BSP	3/4" BSP
D-Handle Type	Outside Trigger	Inside Trigger	Inside Trigger	Inside Trigger	Inside Trigger	Outside Trigger
Part Number (ISO Std Shank) Chuck Size Hex 22 x 82.5 mm (7/8 x 3-1/4 in)	–	–	8900 0001 43	8900 0001 48	8900 0001 44	–
Part Number (US Shank) Chuck Size Hex 22 x 82.5 mm (7/8 x 3-1/4 in)	–	8900 0001 41*	–	–	–	–
Part Number (US Shank) Chuck Size Hex 25 x 108 mm (1 x 4-1/4 in)	8900 0001 20*	–	–	–	–	–
Part Number Chuck Size Round 25 x 75 mm (1 x 3 in)	–	–	–	–	8900 0001 45	8900 0001 42

PICK HAMMERS	CP 0125 S	CP 0125 SVR	CP 0222 CHIT	CP 0222 CHIT BS	CP 0222 CHOT BS
Weight kg (lb)	12.5 (28)	15 (33)	10 (22)	10.5 (23)	10.5 (23)
Length mm (in)	630 (24.8)	730 (28.7)	495 (19.5)	495 (19.5)	495 (19.5)
Air Consumption l/s (cfm)	17 (36)	17 (36)	19 (40)	19 (40)	19 (40)
Blows Per Minute bpm	1,080	1,080	1,500	1,500	1,500
Vibration Level 3 Axes** (ISO 28927-10) m/s ²	28.7	30.1	–	19.8	19.8
Sound Power Level Guaranteed** (2000/14/EC) dB(A)	105	105	–	105	105
Sound Pressure Level** (ISO 11203) dB(A)	91	91	–	90	90
Retainer Type	Screw Cap	Screw Cap	Latch	Latch	Latch
Air Inlet	3/4" BSP	3/4" BSP	1/2" NPTF	3/4" BSP	3/4" BSP
D-Handle Type	Inside Trigger	Inside Trigger	Inside Trigger	Inside Trigger	Outside Trigger
Part Number (ISO Std Shank) Chuck Size Hex 22 x 82.5 mm (7/8 x 3-1/4 in)	–	–	–	8900 0001 22	8900 0001 23
Part Number (US Shank) Chuck Size Hex 22 x 82.5 mm (7/8 x 3-1/4 in)	–	–	8900 0001 21*	–	–
Part Number (US Shank) Chuck Size Hex 25 x 108 mm (1 x 4-1/4 in)	–	–	–	–	–
Part Number Chuck Size Round 25 x 75 mm (1 x 3 in)	8900 0001 46	8900 0001 47	–	–	–

* Not for sale within EU/EEA.

** Full details of measurement are available in the Safety and Operating Instruction of the product. It can be found on www.cpprintshop.com.



- CP 0222***
- High power-to-weight ratio
 - Slim and compact
 - Latch retainer



- CP 0125**
- Screw cap retainer (S model)
 - S model has muffler



- FL 0022 S**
- Exhaust port at top
 - Screw cap retainer with round chuck
 - S model has muffler



- CP 0122 SVR**
- Vibration-reduced model
 - Equipped with muffler



- CP 0125 SVR**
- Vibration-reduced model
 - Equipped with muffler

VIBRATION REDUCED MODELS:

CP 0122 SVR & CP 0125 SVR

When you work long hours in tough conditions, vibration reduction is key to productivity.

These models deliver the same blow rate and high-energy impact as non-SVR models with significantly lower vibration levels. They also have a muffler for noise reduction. Operators find the CP SVR tools more comfortable and easier to control, especially on hard concrete.

Built to Last for Efficient Digging

CP clay diggers are ideal for soil digging because the design has an exhaust port at the top, allowing the unit to be buried almost to the handle. These models also offer one of the most powerful blows, along with the right combination of blows per minute and weight for clay digging and rock-breaking applications.

CLAY DIGGER MODELS:

FL 0022 & FL 0022 S

Ideal for light to medium clay digging applications, the FL 0022 offers a very powerful blow at a relatively low frequency. The slim design also allows it to work in tight spaces. It's built to last with high-quality components, a machined barrel and hardened steel construction. The S model is equipped with a muffler.

VIBRATION REDUCED MODELS:

FL 0022 VR & FL 0022 SVR

These models are designed to deliver the same blow rate and high-energy impact as non-SVR versions, but with lower vibration levels. The SVR model is equipped with a muffler, and both models are available with a vibration-reduced D-handle.



FL 0022 VR/SVR
• Vibration-reduced models
• S model has muffler





FL 0022

- Exhaust port at top
- Screw cap retainer with square chuck for clay digging spades



FL 0022 S

- Exhaust port at top
- Screw cap retainer with square chuck for clay digging spades
- S model has muffler



CLAY DIGGER SHANK STEELS

Find out more information on CP clay digger shank steels on page 18.

CLAY DIGGERS

	FL 0022	FL 0022 S	FL 0022 VR	FL 0022 SVR
Weight kg (lb)	10.5 (23)	11 (24)	12.5 (28)	13 (29)
Length mm (in)	495 (19.5)	495 (19.5)	635 (25)	635 (25)
Air Consumption l/s (cfm)	21 (45)	21 (45)	21 (45)	21 (45)
Blows Per Minute bpm	1,320	1,320	1,320	1,320
Vibration Level 3 Axes* (ISO 28927-10) m/s ²	16.3	16.3	21.9	21.9
Sound Power Level Guaranteed* (2000/14/EC) dB(A)	-	105	-	105
Sound Pressure Level* (ISO 11203) dB(A)	-	89	-	89
Retainer Type	Screw Cap	Screw Cap	Screw Cap	Screw Cap
Air Inlet	3/4" BSP	3/4" BSP	3/4" BSP	3/4" BSP
D-Handle Type	Outside Trigger	Outside Trigger	Outside Trigger	Outside Trigger
Part Number Chuck Size Square 19 x 82 mm (3/4 x 3-1/4 in)	8900 0001 24	8900 0001 25	T025402	8900 0001 39

*Full details of measurement are available in the Safety and Operating Instruction of the product. It can be found on www.cpprintshop.com.



CLAY DIGGER ACCESSORIES

Make your clay digger even more effective with great accessories from CP. See page 16.



RELIABLE PORTABLE POWER

CP offers a full line of compressors for the perfect complement to power your CP pneumatic hammers. Visit cp.com for the full range.

Extra Tough for Demanding Jobs

For excellent hitting power per kg, CP rivet busters are the right choice — delivering one of the best power-to-weight ratios available. A T-handle breaker would need to be at least twice as heavy to provide equivalent performance. Yet even with all this power, CP rivet busters are easy to control thanks to low blow frequency and a teasing throttle. They're perfect for a variety of concrete and metal applications.

CP 4608 P, CP 4608 D, CP 4611 P, CP 4611 D

These units feature a teasing throttle with progressive hitting frequency for better control, as well as a high-quality Boyer valve for consistent blows. They're built for long life in rugged conditions with a forged steel handle and a hardened steel piston. They also feature a stepped cylinder design to prevent accidental ejection of the piston from the cylinder. Models are available with a pistol grip handle with an outside trigger or a D-handle with an inside trigger, as well as an 8" or 11" cylinder.

CONCRETE APPLICATIONS:

- Bridge deck work, where breaker weight is restricted
- De-capping foundation pillars, where concrete is very hard
- Medium to heavy concrete renovation
- An alternative to paving breakers where high hitting power is required but applied in a restrained space or working horizontally

METAL APPLICATIONS:

- Cutting and removing large rivets and bolts with narrow chisels and backout punch, or other special steel and accessories
- Cutting metal tanks or plates with ripper chisel
- Industrial applications such as in foundries or the petrochemical industry



CP 4611 D

- D-handle with inside trigger
- 11" cylinder stroke



CP 4611 P

- Pistol-grip handle with outside trigger
- 11" cylinder stroke



CP 4611 D



CP 4608 P



CP 4608 D

**HIT WITH
MORE
POWER**



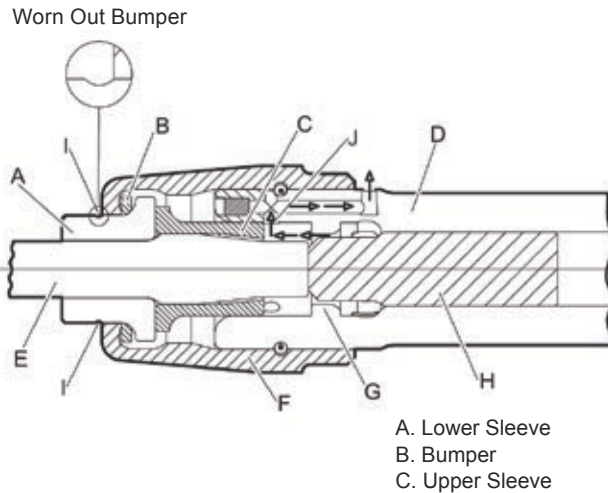
JUMBO SHANK STEEL
CP rivet busters are designed to work with "Jumbo" shank steels.



CP 4608 P
• Pistol-grip handle with outside trigger
• 8" cylinder stroke

THE CONTROLLED POWER SYSTEM

The Controlled Power System on CP rivet busters controls blank firing when a unit's bumpers have worn out to help prevent excessive wear and premature structural breakage. A wear indicator groove on the lower sleeve shows when it is time to replace the bumper. The machine also loses power when it is time to replace the bumper to prevent damage to the machine. The system is designed to extend equipment life, enhance long-term performance and avoid unexpected downtime.



CP 4608 D
• D-handle with inside trigger
• 8" cylinder stroke

RIVET BUSTERS	CP 4608 P	CP 4608 D	CP 4611 P	CP 4611 D
Weight kg (lb)	13.5 (30)	14 (31)	15 (33)	15.5 (34)
Length mm (in)	585 (23)	600 (23.6)	660 (26)	675 (26.6)
Air Consumption l/s (cfm)	21 (45)	21 (45)	21 (45)	21 (45)
Blows Per Minute bpm	900	900	720	720
Vibration Level 3 Axes* (ISO 28927-10) m/s ²	12.6	12.3	13.3	14.3
Sound Power Level Guaranteed* (2000/14/EC) dB(A)	105	105	105	105
Sound Pressure Level* (ISO 11203) dB(A)	93	93	93	93
Air Inlet	1/2" NPTF	1/2" NPTF	1/2" NPTF	1/2" NPTF
Handle Type	Pistol Grip, Outside Trigger	D-Handle, Inside Trigger	Pistol Grip, Outside Trigger	D-Handle, Inside Trigger
Cylinder	Short (8")	Short (8")	Long (11")	Long (11")
Part Number Chuck Size Jumbo	8900 0001 49	8900 0001 51	8900 0001 50	8900 0001 52



CP BUMPER
Extend the life of your rivet buster with proper maintenance, including replacing the bumper when alerted by the wear indicator. See your CP partner for replacement bumpers, lower sleeves and retainers.

*Full details of measurement are available in the Safety and Operating Instruction of the product. It can be found on www.cpprintshop.com.

Your Tool, Your Way

CP handheld pneumatic hammers are available in a variety of standard retainer and handle configurations so you can choose the model that fits your specific requirements. This variety allows you to give operators the ergonomics they are used to for maximum productivity. The following images provide a visual reference for the retainer and handle types listed in the specifications for each tool.

RETAINER TYPES:

Standard Retainers



Latch Retainer

Ideal for jobs where frequent and fast tool changes are needed.



Screw Cap Retainer

Facilitates work in confined spaces and allows good visibility.



Spring Type Retainer

A reliable conventional retainer that allows easy change of tools.

Accessory Retainers

Additional retainer types are available as add-on accessories for CP chipping hammers.



Quick-Change Retainer



Ball-Type Retainer



Economy-Type Retainer



AT Lug-Type Retainer

HANDLE TYPES:



D-Handle, Outside Trigger

Closed-grip handle locates operator's hand in line with chisel for maximum effectiveness and comfort.



Pistol Grip Handle, Outside Trigger

Ergonomic design has a self-closing outside trigger.



D-Handle, Inside Trigger

Protects trigger from external damage and allows a solid, comfortable grip.



CHOT Handle, Outside Trigger

Allows operator to get a good grip on the tool, even when wearing thick gloves.



CP 4130



FL 0022 SVR



CP 4608 D



CP 0125 SVR



CP 4611 D



CP 0012



CP 0222 CHIT



CP 0125 SVR



CP 4123

Enhance Your Tools to Fit Your Needs

CP accessories are available to further enhance your hammer. Make steel replacement even quicker with a quick-change retainer. Extend the life of your hammer by removing moisture and adding oil to the air, or reduce noise levels by adding a muffler assembly. In addition, CP has a complete assortment of steel accessories so you can use the most effective steel for your application.



CP Airolene Plus Tool Oil

Synthetic CP Airolene Plus Tool Oil is developed for CP pneumatic tools. It reduces wear, corrosion and freezing, and reduces the risk of scoring and abrasion. The readily biodegradable formula supports environmentally friendly applications.

CP AIROLENE PLUS TOOL OIL	Volume L (gal)	Part Number
5 Liter Container	5 (1.1)	8099 0202 49
4 x 5 Liter Container	20 (4.4)	8099 0202 51

CP Water Separator



Condensation in the compressed air line system can produce a bucket of water or more per shift! As a result, water in the compressed air line system causes corrosion and can make pneumatic machines freeze up. That's why it's important to use a genuine CP water separator to protect your machine. CP water separators are delivered without claw couplings. The thread size is 3/4" and follows the BSP standard for the European market and the NPT standard for the US market.

CP WATER SEPARATOR	Hose Connection mm (in)	Air Flow L (cfm)	Weight kg (lb)	BSP Claw Coupling	Part Number
Water Separator 3/4" BSP	20 (3/4)	61 (30)	0.8 (1.8)	9000 0302 00	8900 0050 00

CP Lubricator



CP Lubricator 1300 (EU model) and Lubricator 43 (US Model) use the ejector principle to achieve controlled lubrication. The pick-up inside is intricately bent to give oil supply regardless of the lubricator's position. Many cheaper competitive lubricators do not work if turned upside down, so always use a genuine CP lubricator to provide proper lubrication for your machine.

CP LUBRICATOR	Hose Inner Diameter mm (in)	Air Flow L (cfm)	Oil Volume L (oz)	Weight kg (lb)	Part Number
Lubricator 1300 1" BSP European Type Claw Coupling Premounted	25 (1)	15-140 (32-300)	1.3 (45.8)	3 (6.6)	8900 0050 02
Lubricator 43 1" NPT US Type Claw Coupling Premounted	25 (1)	15-140 (32-300)	1.3 (45.8)	3 (6.6)	8900 0050 07

RED-X Compressed Air Hose

RED-X rubber hose is manufactured with a woven reinforcement that is flat in unpressurized conditions. At one-third the weight of a conventional rubber hose, it's easier to handle. This hose is suitable for compressed-air applications with a maximum working pressure of 20 bar, including: pneumatic rock drills and breakers, crawlers, water well drill rigs, and water pumps on construction sites, as well as in mining and agricultural applications.

KEY FEATURES:

- Extremely flexible and easy to unroll
- Easy to store – takes less than half the storage space of a conventional rubber hose
- Safer to use – woven reinforcement resists damage; in the event of a rupture, the hose bursts longitudinally to keep the hose in one piece



LIGHTWEIGHT HOSE ROLLS	Inner Diameter mm (in)	Thickness mm (in)	Maximum Working Pressure bar (psi)	Weight kg (lb)	Part Number
Length – 60 m (195 ft)	19 (3/4)	2 (.08)	20 (290)	11 (24.3)	8900 0050 10
Length – 100 m (325 ft)	19 (3/4)	2 (.08)	20 (290)	18 (39.7)	8900 0050 11
Length – 200 m (650 ft)	19 (3/4)	2 (.08)	20 (290)	36 (79.4)	8900 0050 12
Length – 60 m (195 ft)	25 (1)	2 (.08)	20 (290)	15 (33.1)	8900 0050 20
Length – 100 m (325 ft)	25 (1)	2 (.08)	20 (290)	25 (55.1)	8900 0050 21
Length – 200 m (650 ft)	25 (1)	2 (.08)	20 (290)	50 (110.2)	8900 0050 22

PRE-MOUNTED UNIVERSAL HOSES WITH COUPLINGS	Inner Diameter mm (in)	Thickness mm (in)	Maximum Working Pressure bar (psi)	Weight kg (lb)	Part Number
Length – 20 m (65 ft)	19 (3/4)	2 (.08)	20 (290)	4.5 (9.9)	8900 0050 09
Length – 20 m (65 ft)	25 (1)	2.5 (.10)	20 (290)	6 (13.2)	8900 0050 23

CLAW COUPLINGS STANDARD EXECUTION DIN 3489 (CASTED)	Inner Diameter mm (in)	Part Number
Hose Nipple	6.0 (1/4)	9000 0308 01
Hose Nipple	10.0 (3/8)	9000 0309 01
Hose Nipple	12.5 (1/2)	9000 0310 01
Hose Nipple	15.0 (5/8)	9000 0311 01
Hose Nipple	19.0 (3/4)	9000 0312 15
Hose Nipple	25.0 (1)	9000 0313 01
External Thread	G 3/8"	9000 0300 01
External Thread	G 1/2"	9000 0301 01
External Thread	G 3/4"	9000 0302 01
External Thread	G 1"	9000 0303 01
Internal Thread	G 3/8"	9000 0304 01
Internal Thread	G 1/2"	9000 0305 01
Internal Thread	G 3/4"	9000 0306 05
Internal Thread	G 1"	9000 0307 01
Cover	-	9000 0314 01
Packing	-	9000 0000 02

HOSE CLAMPS FOR CLAW COUPLINGS	External Hose Diameter mm (in)	Round Rubber Hose Internal Diameter mm (in)	RED-X Internal Diameter mm (in)	Part Number
Two Piece Hose Clamp	22–29 (7/8–1 1/8)	12.5 (1/2)	20 (3/4)	9000 0050 00
Two Piece Hose Clamp	29–32 (1 1/8–1 3/8)	20 (3/4)	25 (1)	9000 0051 00
Two Piece Hose Clamp	32–40 (1 3/8–1 9/16)	25 (1)	-	9000 0052 00

Chipping Hammer Steel

HEXAGON 19 x 50 mm (3/4 x 2 in) CP 0012, CP 0016, CP 0017 SVR	Width mm (in)	Length mm (in)	Part Number
Moil Point	–	240 (9.4)	3083 3220 00
Moil Point	–	440 (17.3)	3083 3221 00
Narrow Chisel	–	240 (9.4)	3083 3222 00
Narrow Chisel	–	440 (17.3)	3083 3223 00
Wide Chisel	60 (2.4)	190 (7.5)	3083 3224 00
Shaft For Bush Hammer	–	80 (3.1)	3083 3225 00
Bush Hammer – TC Head	40 (1.6)	–	3083 3226 00
Bush Hammer – TC Head	40 (1.6)	–	3083 3227 00

Pick Hammer Steel

ISO STANDARD HEX 22 x 8.25 mm CP 0122 S, CP 0122 SL, CP 0122 SVR, CP 0222	Width mm (in)	Length mm (in)xw	Part Number
Moil Point	–	380 (15.0)	3083 3242 00
Moil Point	–	1,000 (39.4)	3083 3243 00
Narrow Chisel	–	380 (15.0)	3083 3244 00
Narrow Chisel	–	1,000 (39.4)	3083 3245 00
Wide Chisel	75 (3.0)	380 (15.0)	3083 3246 00
Asphalt Cutter	125 (4.9)	380 (15.0)	3083 3069 00
Digging Chisel	75 (3.0)	450 (17.7)	3083 3247 00
Digging Spade	120 (4.7)	400 (15.7)	3083 3248 00
Clay Spade	125 (4.9)	430 (16.9)	3083 3249 00
Wedge Chisel	35 (1.4)	380 (15.0)	3083 3250 00
Shaft For Tamping Pad	–	310 (12.2)	3083 3251 00
Tamping Pad – Round	175 (6.9)	–	3083 3252 10
Tamping Pad – Square	175 (6.9)	–	3083 3239 00
Driver Pad – Round	100 (3.9)	–	9245 2817 90

ROUND 25 x 75 mm CP 0125 S, CP 0125 SVR, FL 0022 S	Width mm (in)	Length mm (in)	Part Number
Moil Point	–	330 (13.0)	3083 3265 00
Moil Point	–	450 (17.7)	3083 3265 10
Narrow Chisel	–	330 (13.0)	3083 3266 00
Narrow Chisel	–	450 (17.7)	3083 3266 10

Clay Digger Steel

SQUARE 19 x 82 mm (3/4 x 3-1/4 in) CP FL 0022 VR, CP FL 0022 SVR	Width mm (in)	Length mm (in)	Part Number
Moil Point	–	330 (13)	3083 4170 00
Narrow Chisel	–	330 (13)	3083 4170 10
Clay Spade	125 (4.9)	360 (14.2)	3083 4170 30



Backout Punch



Chisel Ripper



Drift Pin Driver



Tight Rivet Buster



Loose Rivet Buster



Narrow Chisel



Moil Point

Rivet Buster Steel

CP 4608 P, CP 4611 P, CP 4608 D, CP 4611 D	Diameter mm (in)	Length mm (in)	Part Number
Moil Point	-	145 (5.7)	3083 4140 00
Moil Point	-	195 (7.7)	3083 4140 10
Moil Point	-	340 (13.4)	3083 4140 20
Narrow Chisel	-	145 (5.7)	3083 4141 00
Narrow Chisel	-	195 (7.7)	3083 4141 10
Narrow Chisel	-	340 (13.4)	3083 4141 20
Loose Rivet Buster	-	145 (5.7)	3083 4142 00
Loose Rivet Buster	-	195 (7.7)	3083 4142 10
Loose Rivet Buster	-	340 (13.4)	3083 4146 20
Tight Rivet Buster	-	145 (5.7)	3083 4145 00
Tight Rivet Buster	-	195 (7.7)	3083 4145 10
Tight Rivet Buster	-	340 (13.4)	3083 4145 20
Drift Pin Driver	22 (.9)	80 (3.1)	3083 4143 00
Chisel Ripper	-	120 (4.7)	3083 4144 00
Backout Punch – Standard	12.5 (.5)	250 (9.8)	3083 4147 00
Backout Punch – Standard	16 (.6)	250 (9.8)	3083 4147 10
Backout Punch – Standard	20 (.8)	240 (9.5)	3083 4147 20
Backout Punch – Standard	22 (.9)	240 (9.5)	3083 4147 40
Backout Punch – Standard	25 (1.0)	240 (9.5)	3083 4147 60
Backout Punch – Long Clearance	16 (.6)	102 (4.0)	3083 4148 10
Backout Punch – Long Clearance	16 (.6)	152 (6.0)	3083 4148 20
Backout Punch – Long Clearance	19 (.7)	102 (4.0)	3083 4148 40
Backout Punch – Long Clearance	19 (.7)	152 (6.0)	3083 4148 50
Backout Punch – Long Clearance	22 (.9)	102 (4.0)	3083 4148 70
Backout Punch – Long Clearance	22 (.9)	152 (6.0)	3083 4148 80



Over 100 Years of Experience

Since 1901 the Chicago Pneumatic name has represented high-performance tools and equipment designed for an extensive range of applications. Today, Chicago Pneumatic has a global reach, with local customer centers around the world. Chicago Pneumatic tools and air compressors are tailored to the needs of the industrial, vehicle service, and construction markets. Every day we develop and manufacture new products that are meant to meet your demands not only today, but tomorrow as well.

For more information, please contact your CP partner:

TECHNISCH BUREAU

DUSPRA

by technisch bureau Duspra-Amersfoortseweg 24-14 - NL 3951 LB Maarn
Tel: +31(0)180-410100 Email: sales@duspra.nl
Fax: +31(0)180-487630 Internet: www.duspra.nl

Use only authorized parts. Any damage or malfunction caused by the use of unauthorized parts is not covered by Warranty or Product Liability.